

**SWAGTRON®**

**USER MANUAL**

Ver. 1.0 6/1/19

In order to continue serving our customers and providing the best products, our product information including our user manuals may receive updates from time to time. Please check our website for the latest user manuals and product materials.



**K9 Kick Scooter**



# PROTECT YOUR DOME

## HELMETS SAVE LIVES

Helmets can reduce 85% of critical head injuries.

Elbow pads can reduce 82% of elbow injuries.

Knee pads can reduce 32% of knee injuries.

From <https://www.ncbi.nlm.nih.gov/pubmed/2716781>

**Always wear proper protective gear when riding. This includes knee and elbow pads and an age-appropriate helmet.**

- Helmets should fit comfortably and snugly, covering the forehead but not hindering your field of vision.
- The helmet should have a chin strap and buckle to keep the helmet in place.
- The helmet should be made out of a hard, protective outer shell and an impact-absorbing inner layer at least 1/2-inch thick.
- The helmet should be approved by the U.S. Consumer Product Safety Commission (CPSC), the Snell Memorial Foundation, or the American Society for Testing and Materials (ASTM).



Thank you for your purchase of the K9 Kick Scooter.

Before operating this scooter, please read all instructions. This manual will walk you through the functions, usage, and proper care of your SWAGTRON® K9 Kick Scooter. If you have any questions or cannot find the information you need in the manual, please contact your place of purchase or our customer service at 1-844-299-0625.

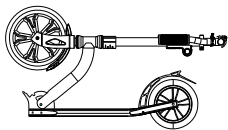
Happy Riding!

-The SWAGTRON® Team

# Table of Contents

<b>Box Contents</b> .....	<b>6</b>
<b>Product Overview</b> .....	<b>7</b>
Folding/Unfolding the Scooter.....	8
Attaching the Handles.....	10
Adjusting the Stem .....	10
Standing on the Ground.....	11
<b>Using the Scooter</b> .....	<b>12</b>
Practicing Guidelines.....	13
<b>Safety Information</b> .....	<b>14</b>
<b>Warnings</b> .....	<b>15</b>
<b>90-Day Limited Hardware Warranty</b> .....	<b>16</b>
<b>Specifications</b> .....	<b>19</b>

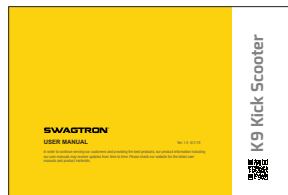
# Box Contents



K9 Kick Scooter x 1

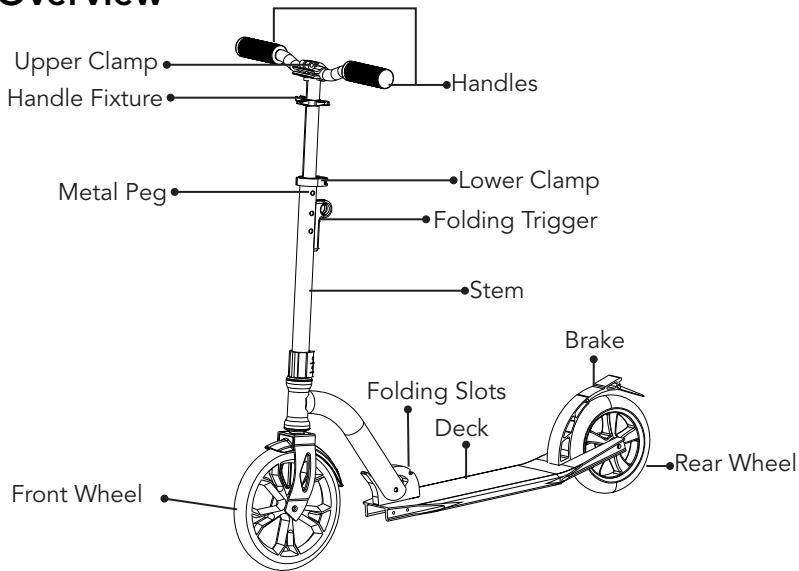


Allen Key x 1



User Manual x 1

# Product Overview



## Folding/Unfolding the Scooter

### To Fold

1. Hold the scooter's stem with one hand. Slide your index finger on other hand through the folding trigger. Pull the folding trigger up towards the handlebar. You will hear a "click" (Fig. 1).
2. Release the folding trigger, then fold the stem down towards the deck.
3. Make sure it locks into the lowest notch. It will "click" into place.
4. Check that all parts are secure before lifting the scooter.

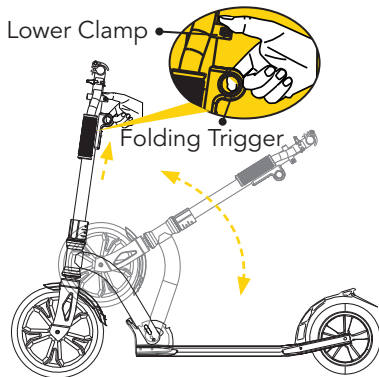


Fig. 1



## To Unfold

1. Hold the scooter's stem with one hand. Slide your index finger of the other hand through the folding trigger. Pull the folding trigger up towards the handlebar. You will hear a "click" (Fig. 2).
2. Release the folding trigger, then pull the stem up away from the deck.
3. Make sure it locks into the top-most notch. It will "click" into place.
4. Check that all parts are secure before using the scooter.

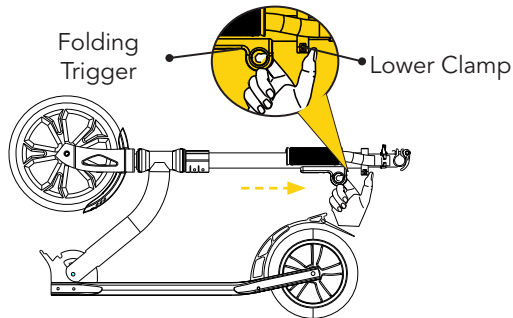


Fig. 2

## Attaching the Handles

Open upper clamp of stem. Insert the handles into the stem and adjust the handles properly. Close the clamp to secure handlebar.

- Adjust the screw under the upper clamp to tighten the clamp in place if need.
- When the handles are detached, they can be stored in the handle fixture.

## Adjusting the Stem

Open the lower clamp and press in the metal peg. Raise (or lower) the stem to the desired height. The peg should pop into place. Close the lower clamp to secure the stem.



In order for the scooter to be safe to ride: (1) the metal peg must pop into one of the designated holes, and (2) the lower clamp must be closed.

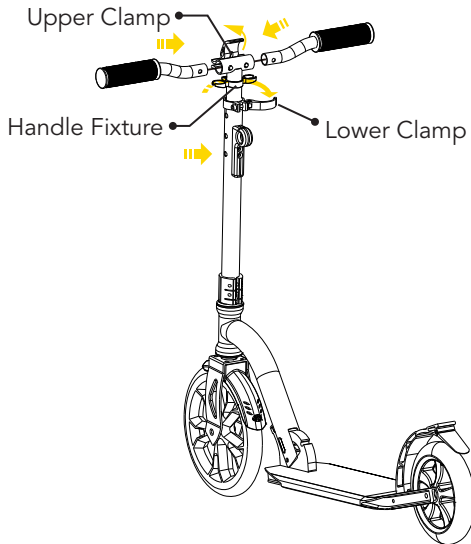


Fig. 3

## Standing on the Ground

The K9 is designed in such a way that a kickstand is not needed to stand the scooter up on pavement.

1. Hold the scooter's stem with one hand. Slide your index finger of your other hand through the folding trigger. Pull the folding trigger up towards the handlebar. You will hear a "click" (Fig. 3).
2. Release the folding trigger and pull the stem down towards the deck until the front end of the deck touches the ground. From this position, the scooter may stand firmly on the ground.
3. Before riding the scooter again, step one foot on the deck to hold the scooter, then push the stem forward with your both hands holding the handlebars. You will hear it "click" when it locks into the top-most notch. (Make sure the front end of the deck is completely off the ground.). Check that all parts are secure and ready to go.

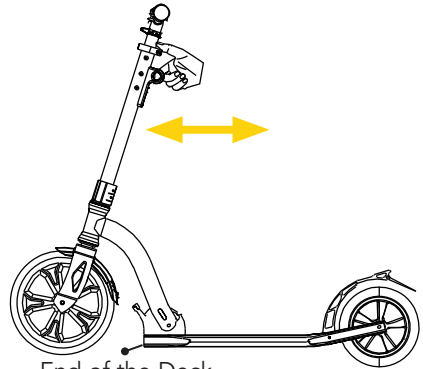


Fig. 3

## Using the Scooter

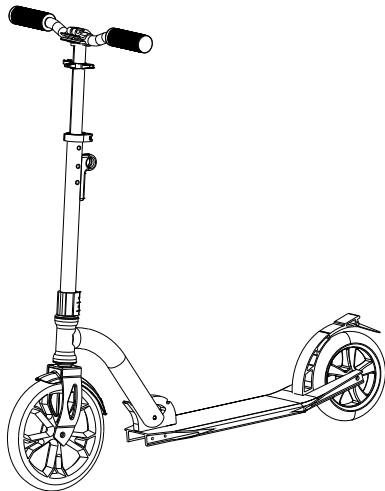


- Always wear an ASTM F1492 approved helmet and protective gear to worn by ALL riders at ALL times regardless of age.
- Do not allow user over 220 lb. (100 kg) to ride the scooter.
- Supervise children while the scooter is in use.
- Inform your child of instructions and safety guidelines before allowing them to ride.

1. Hold both handles.
2. Put one foot on the deck towards the front.
3. Use your other foot to push off the ground and move the scooter forward.
4. Once you've attained desired speed, place both feet on the scooter to coast.
5. To stop, step on the rear brake with the nearest foot.

## Practicing Guidelines

- Wear casual clothing and flat shoes to maintain your flexibility and stability.
- Practice until you can easily get on, move forward, turn, stop, and dismount with ease.
- Make sure the pavement is even. Do not ride slopes or inclines until you are experienced.
- The scooter is designed for relatively smooth, flat terrain. When riding on uneven terrain, slow down.
- Avoid riding in places with pedestrians or obstacles.



# Safety Information

The SWAGTRON® K9 Kick Scooter is a personal scooter designed for children ages 8 and up. By operating the scooter, the user acknowledges and accepts responsibility of all risks associated with the use of the SWAGTRON® K9 Kick Scooter which may include, but are not limited to, muscle injuries, broken bones, lacerations, serious injury, and possible death. To better ensure safe riding, always use appropriate protective gear and follow all instructions in this manual.

- The K9 is a self-propelled scooter designed for a single rider only. It is not intended or equipped for road use, off-road use, or use with any motorized device.
- Appropriate protective gear should include an age-appropriate ASTM F1492 approved helmet and other gear such as knee and elbow pads.
- Check all screws and fittings are secure before giving the scooter to a child.
- Add oil for lubrication periodically and replace bearings when worn. Regular maintenance enhances the product safety.
- Use on flat, clean, and dry surfaces. Avoid drains and unstable surfaces.
- Use the scooter with caution as riding requires skill and practice so as to avoid falls or collisions.
- Use the scooter at your own risk. SWAGTRON® shall not be held responsible for misuse. Do not perform stunts or dangerous maneuvers with the scooter.

# Warnings



- Use with adult supervision.
- Avoid pedestrians and sudden impacts.
- The braking mechanism may get hot from continuous use. Do not touch the brake after it has been used.
- Keep fingers away from moving parts to avoid pinching and entrapment.
- Never allow more than one person at a time on the scooter.
- Obey outdoor regulations, always give right of way to pedestrians, and never ride at night.
- Be careful when riding on wet pavement as braking and wheel traction may be significantly reduced.
- Do not modify the scooter or change the scooter in any way not outlined in these instructions.
- Screws and fixtures may loosen over time. Check and tighten periodically.
- Avoid riding on the street, as well as roads with water, garbage, leaves, etc.
- Adults must help the child when first folding the scooter and, adjusting the stem height.
- Only parents or legal guardians should assemble or adjust the scooter.

## 90-Day Limited Hardware Warranty

Your SWAGTRON® K9 Kick Scooter ("Product") includes a 90-Day Limited Hardware Warranty ("Warranty"). The Warranty covers product defects in materials and workmanship under normal use. This Warranty is limited to residents of the United States (Excluding Hawaii, Alaska and US Territories) and Canada only and is available only to original purchasers. This Warranty gives you specific legal rights and you may also have other rights which vary from state to state.

This Warranty starts on the date of your purchase and lasts for ninety (90) days ("Warranty Period"). The Warranty Period is not extended if the Product is repaired or replaced. We may change the availability of this limited warranty at our discretion, but any changes will not be retroactive.

Warranty services are provided by SWAGTRON®. If a hardware defect arises and a valid claim is received within the Warranty Period, at its option and to the extent permitted by law, SWAGTRON® will: (1) repair the hardware defect by using new or refurbished parts that are equivalent to new in performance and reliability; or (2) exchange the Product with a product that is new or refurbished which is substantially equivalent to the original product. This Warranty is for one replacement only of like-items and does not cover items out of production if the product is no longer made or stocked. This Warranty is not assignable or transferable.



The original purchaser may call SWAGTRON's toll-free number at 1-844-299-0625 for service request.

When a product or part is exchanged, any replacement item becomes your property and the replaced item becomes SWAGTRON®'s property. This warranty only covers technical hardware defectiveness during the warranty period and under normal use conditions. SWAGTRON® does not warrant uninterrupted or error-free operation of this Product.

Return shipping shall only be provided for Products dead on arrival ("DOA") within 30 days of purchase only. All other returns/repairs shall require payment of shipping cost at discounted rate to be determined as follows:

SWAGTRON® K-Line shall be Eight Dollars (\$10)\*\*

\*\*shipping prices are subject to change without further notice.

This Warranty does not cover any damage due to: (a) transportation; (b) storage; (c) improper use; (d) failure to follow the product instructions or to perform any preventive maintenance; (e) modifications; (f) unauthorized repair; (g) normal wear and tear( including but not limited to wearables and other consumable parts such as tires); or (h) external causes such as accidents, abuse, or other actions or events beyond our reasonable control.

Important: Do not disassemble the Product. Disassembling the Product will void this Warranty. Only SWAGTRON® or a party expressly authorized by SWAGTRON® should perform service on this Product.

DISCLAIMER OF WARRANTY: THE REMEDIES DESCRIBED ABOVE ARE YOUR SOLE AND EXCLUSIVE REMEDIES AND OUR ENTIRE LIABILITY FOR ANY BREACH OF THIS LIMITED WARRANTY. OUR LIABILITY SHALL UNDER NO CIRCUMSTANCES EXCEED THE ACTUAL AMOUNT PAID BY YOU FOR THE DEFECTIVE PRODUCT, NOR SHALL WE UNDER ANY CIRCUMSTANCES BE LIABLE FOR ANY CONSEQUENTIAL, INCIDENTAL, SPECIAL OR PUNITIVE DAMAGES OR LOSSES, WHETHER DIRECT OR INDIRECT.

SOME STATES DO NOT ALLOW THE EXCLUSION OR LIMITATION OF INCIDENTAL OR CONSEQUENTIAL DAMAGES, SO THE ABOVE LIMITATION OR EXCLUSION MAY NOT APPLY TO YOU.

THE DURATION AND REMEDIES OF ALL IMPLIED WARRANTIES, INCLUDING WITHOUT LIMITATION THE WARRANTIES OF MERCHANTABILITY AND FITNESS FOR A PARTICULAR PURPOSE ARE LIMITED TO THE DURATION OF THIS EXPRESS LIMITED WARRANTY.

## Specifications

Item	Parameters
Materials - Frame & Deck	Aluminum
Materials - Handle	TPR
Materials - Wheels	Polyurethane (PU)
Product Weight	13.7 lb. / 6.22 kg
Maximum Load	220lb. / 100kg
Dimensions (Unfolded)	37.8 x 17.3 x 41 in. / 960 x 440 x 1040 mm
Dimensions (Folded)	32.3 x 6.1 x 14.2 in. / 820 x 155 x 360 mm
Handlebar Height(s)	37, 39, 41 (in.) / 94, 99, 104 (cm)
Wheel Size	250 mm (Front) / 200 mm (Rear)
Wheel Bearings	ABEC-9
Recommended Ages	8+
Certifications	ASTM F2264



**SWAGTRON®**

COPYRIGHT © 2019 SWAGTRON. ALL RIGHTS RESERVED.