

SWAGTRON®

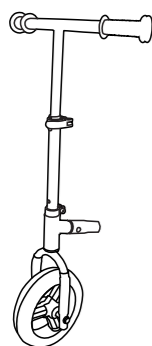
2-in-1 Child Walker, Balance Bike, and Scooter

2+ YEARS

Quick Start Guide

Before operating this vehicle, please read all instructions. This guide will walk you through the functions, usage, and proper care of your SWAGTRON® K2 Kid's scooter. If you have any questions or cannot find the information you need in the guide, please contact your place of purchase or our customer service at 1-844-299-0625.

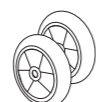
1 Box Contents



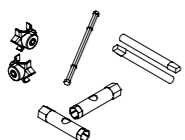
Front Assembly x 1



Rear Assembly x 1



Rear Wheel x 2



Axle Parts Pack x 1

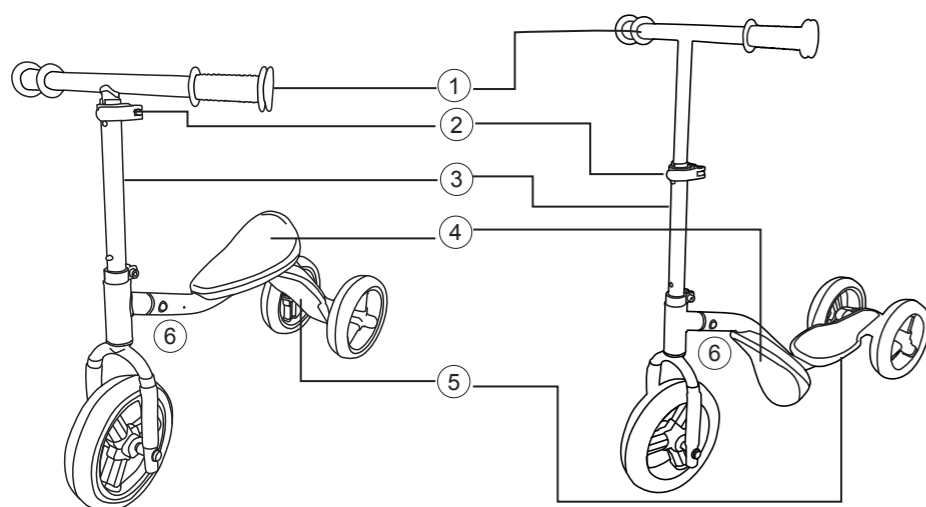


Quick Start Guide x 1

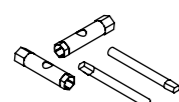
2 Product Overview

Bike Mode

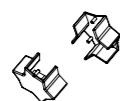
Scooter Mode



Axle Parts Pack



7



8



9

- ① Handle
- ② Upper Clamp
- ③ Stem
- ④ Seat
- ⑤ Deck
- ⑥ Turning Point
- ⑦ Socket Spanner (2x sets)
- ⑧ Covers (for rear wheels)
- ⑨ Rear Axle (with 2x Spacers & 2x Nuts)

3 Before Riding Your Scooter

Assembling the Rear Wheels

- Remove the Nuts and Spacers from the Rear Axle if needed.
- Slide the Rear Axle through the Center Tube in the Rear Assembly holes so that it extends from either side (Figure 1).
- Slide the 1x Spacer and 1x Rear Wheel onto one end of the Rear Axle.
- At the other side of the Rear Wheel, attach 1x Nut to the end of the Rear Axle.
- Slide the 1x Spacer and 1x Rear Wheel onto the other end of the Rear Axle.
- At the other side of that Rear Wheel, attach 1x Nut to the end of the Rear Axle.
- Tighten the nuts with the Socket Spanner provided (Figure 2).
- Push each Cover over each Nut and into the Wheels.

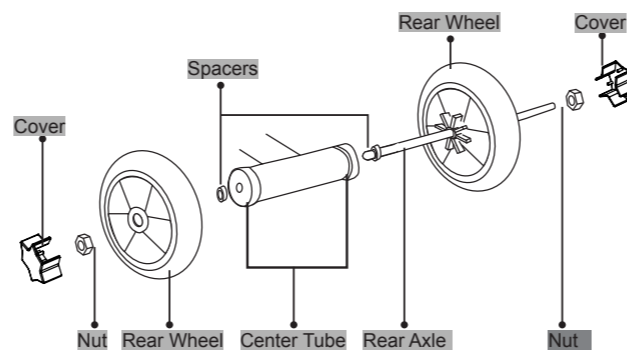


Figure 1

- To use the Socket Spacers, slide each pin into each tube making sure the flattened end faces up. Fit each spanner over each Nut. Use one spanner to hold 1x Nut in place and turn other spanner tighten.

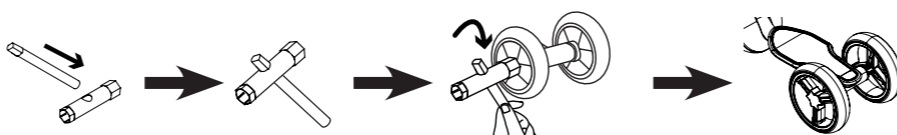


Figure 2

Assembling the Whole Scooter

- At the Turning Point, push the two metal pegs in on both sides and attach the Front Assembly to the Rear Assembly.

- Ensure the metal pegs pop into the designated holes.

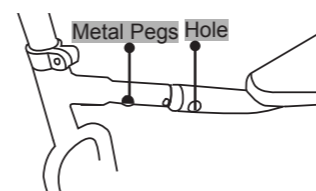


Figure 3

Adjusting the Stem

- Open the Upper Clamp (Figure 4).
- Press the metal pegs on the Stem and push up or down the handlebar to adjust the height.
- Close the Upper Clamp to secure the handlebar.

- The metal peg MUST pop into one of the two designated holes in order for the scooter to be safe to ride.
- The Stem may need to be adjusted after switching modes.

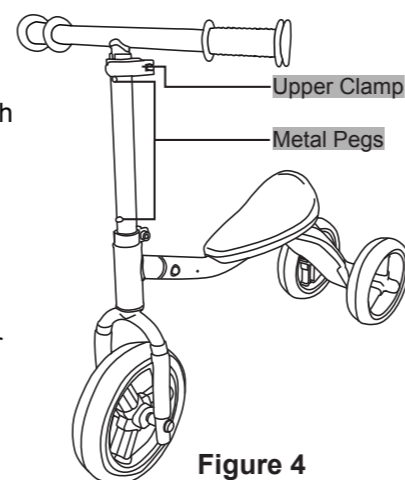


Figure 4

Switching Modes (Bike Mode & Scooter Mode)

- At the Turning Point, push the two metal pegs on both sides.
- Turn the Rear Assembly 180° according to preference. The deck should face up for Scooter Mode while the seat should face up for Bike Mode.

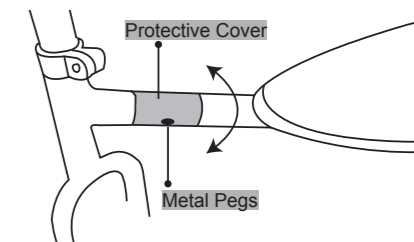


Figure 5

4 Usage Instructions

How to Use Your Scooter

- Age-appropriate protective gear including a helmet and elbow and knee-pads must be worn at all times.
- The scooter supports up to 44 lbs (20kg).

Assuming you have equipped suitable protective gear and that the scooter has been placed on a level surface, follow the steps below.

Bike Mode

- Hold both handles firmly.
- Sit down on the seat.
- With your both feet, push off the ground to propel the scooter forward.
- Both feet can leave the ground when desired speed has been reached.
- To stop, step on the ground with both feet.

Scooter Mode

- Hold both handles firmly.
- Put your one foot towards the front of the deck.
- With your other foot, push off the ground to propel the scooter forward.
- Both feet can fit on the deck when desired speed has been reached.
- To stop, step on the ground with one foot.

Practicing Guidelines

- Wear casual clothing and flat shoes to maintain your flexibility and stability.
- Practice until you can easily get on, move forward, turn, stop, and dismount with ease.
- Make sure the pavement is even. Do not ride on a slope until you are experienced.
- The Scooter is designed for relatively smooth, flat terrain. When driving on uneven terrain, the user should slow down.
- Until you are comfortable using the scooter, avoid riding in places with pedestrians or obstacles.

5 Safety Information

The SWAGTRON® K2 2-in-1 Child Walker, Balance Bike, and Scooter is a personal scooter designed for children ages 2 and up. By operating the scooter, the user acknowledges and accepts responsibility of all risks associated with the use of the SWAGTRON® K2 scooter which may include, but are not limited to, muscle injuries, broken bones, lacerations, serious injury, and possible death.

- To better ensure your safety, **ALWAYS USE APPROPRIATE PROTECTIVE GEAR**, read and follow all instructions and warnings in this guide.
- Appropriate protective gear should include an age-appropriate helmet and other gear including knee and elbow pads.
- This is a self propelled scooter designed for a single rider only. It is not intended or equipped for road use, off road use or use with any motorized device.
- Use on flat, clean and dry surfaces and where possible keep away from other road users.
- Please add oil for lubrication periodically and replace bearings when worn.
- Use a few drops of oil to lubricate wheel bearings as needed.
- Clean bearings after use.
- Regular maintenance enhances the safety of equipment.
- Use the scooter at your own risk. We are not responsible for mishaps due to lack of common sense.
- Please check all screws and fittings are secure before giving the scooter to a child.
- The scooter should be used with caution, since it requires skill and practice so as to avoid falls or collisions that may cause injury to the user or other parties.

6 Warnings



- The braking mechanism may get hot from continuous use, do not touch the brake after it has been used.
- Keep fingers away from moving parts to avoid pinching and entrapment.
- Never allow more than one person at a time on the scooter.
- Never ride at night, obey all traffic and pedestrian regulations, and give right of way to pedestrians.
- Care should be taken when riding on wet pavement as braking and wheel traction may be reduced.
- Never leave your scooter unlocked and unattended.
- Do not modify the scooter or change the scooter in any way not outlined in these instructions.
- Screws and fixtures may loosen over time so please check and tighten periodically.

WARNING

Adult Assembly Required.
Contains Small Parts.

7 Warranty Information

Your SWAGTRON® K2 Kid's Convertible Scooter ("Product") includes a One Year Limited Hardware Warranty ("Warranty"). The Warranty covers product defects in materials and workmanship under normal use. This Warranty is limited to residents of the United States and Canada only and is available only to original purchasers. This Warranty gives you specific legal rights and you may also have other rights which vary from state to state.

This Warranty starts on the date of your purchase and lasts for one year (the "Warranty Period"). The Warranty Period is not extended if the Product is repaired or replaced. We may change the availability of this limited warranty at our discretion, but any changes will not be retroactive.

Warranty services are provided by SWAGTRON®. If a hardware defect arises and a valid claim is received within the Warranty Period, at its option and to the extent permitted by law, SWAGTRON® will: (1) repair the hardware defect by using new or refurbished parts that are equivalent to new in performance and reliability; or (2) exchange the Product with a product that is new or refurbished which is substantially equivalent to the original product. This Warranty is for one replacement only of like-items and does not cover items out of production if the product is no longer made or stocked. This Warranty is not assignable or transferable. The original purchaser may call SWAGTRON's toll-free number at 1-844-299-0625 for service requests.

When a product or part is exchanged, any replacement item becomes your property and the replaced item becomes SWAGTRON's property. This warranty only covers technical hardware defectiveness during the warranty period and under normal use conditions. SWAGTRON® does not warrant uninterrupted or error-free operation of this Product.

This Warranty does not cover any damage due to: (a) transportation; (b) storage; (c) improper use; (d) failure to follow the product instructions or to perform any preventive maintenance; (e) modifications; (f) unauthorized repair; (g) normal wear and tear; or (h) external causes such as accidents, abuse, or other actions or events beyond our reasonable control.

Important: Do not disassemble the Product. Disassembling the Product will void this Warranty. Only SWAGTRON® or a party expressly authorized by SWAGTRON® should perform service on this Product.

DISCLAIMER OF WARRANTY: THE REMEDIES DESCRIBED ABOVE ARE YOUR SOLE AND EXCLUSIVE REMEDIES AND OUR ENTIRE LIABILITY FOR ANY BREACH OF THIS LIMITED WARRANTY. OUR LIABILITY SHALL UNDER NO CIRCUMSTANCES EXCEED THE ACTUAL AMOUNT PAID BY YOU FOR THE DEFECTIVE PRODUCT, NOR SHALL WE UNDER ANY CIRCUMSTANCES BE LIABLE FOR ANY CONSEQUENTIAL, INCIDENTAL, SPECIAL OR PUNITIVE DAMAGES OR LOSSES, WHETHER DIRECT OR INDIRECT.

SOME STATES DO NOT ALLOW THE EXCLUSION OR LIMITATION OF INCIDENTAL OR CONSEQUENTIAL DAMAGES, SO THE ABOVE LIMITATION OR EXCLUSION MAY NOT APPLY TO YOU.

THE DURATION AND REMEDIES OF ALL IMPLIED WARRANTIES, INCLUDING WITHOUT LIMITATION THE WARRANTIES OF MERCHANTABILITY AND FITNESS FOR A PARTICULAR PURPOSE ARE LIMITED TO THE DURATION OF THIS EXPRESS LIMITED WARRANTY.

Disposal at End-of-Life

If disposing of this product, it is recommended not to mix with household trash. The recommended disposal for any SWAGTRON® K2 2-in-1 Child Walker, Balance Bike, and Scooter at its end-of-life is to dispose of the entire unit at or through a recycling center, program, or facility. Local regulations and laws pertaining to the recycling and disposal of certain metals and plastics and/or products containing them will vary according to country, state, and local governments. You must check laws and regulations corresponding to where you live in order to properly dispose of the battery and/or unit. It is the user's responsibility to dispose of their waste equipment properly with accordance with local regulations and laws.

8 Specifications

Item	Parameters
Material	Steel and Plastic (PP, PVC)
Scooter Dimensions	26.4 x 13.4 x (21.9-27.6) in
Trike Dimensions	26.4 x 13.4 x 21.6 in
Wheel Diameter	7.5 in (Front) / 5.9 in (Rear)
Product Weight	4.62 lbs
Maximum Load	44 lbs
Ages	2+
Certifications	ASTM F963