

SWAGTRON®

USER MANUAL

Ver. 1.0 10/4/19

In order to continue serving our customers and providing the best products, our product information including our user manuals may receive updates from time to time. Please check our website for the latest user manuals and product materials.



SWAGSKATE NG-3

PROTECT YOUR DOME

HELMETS SAVE LIVES

Helmets can reduce 85% of critical head injuries.

Elbow pads can reduce 82% of elbow injuries.

Knee pads can reduce 32% of knee injuries.

From <https://www.ncbi.nlm.nih.gov/pubmed/2716781>

Always wear proper protective gear when riding. This includes knee and elbow pads and an age-appropriate helmet.

- Helmets should fit comfortably and snugly, covering the forehead but not hindering your field of vision.
- The helmet should have a chin strap and buckle to keep the helmet in place.
- The helmet should be made out of a hard, protective outer shell and an impact-absorbing inner layer at least 1/2-inch thick.
- The helmet should be approved by the U.S. Consumer Product Safety Commission (CPSC), the Snell Memorial Foundation, or the American Society for Testing and Materials (ASTM).



Thank you for your purchase of the SWAGSKATE NG3 NextGen Electric Skateboard!

You're now a part of the SWAGTRON® family! The NG3 takes the fun of a traditional skateboards, adds an electric motor and smart sensors, and tops it off with an extra bit of swag.

To ensure your safety and the safety of others, please read and follow the guidelines in this user manual carefully and thoroughly before and during riding.

If you have any questions regarding your Swagskate, contact us at 1-844-299-0625 for further assistance.

Happy Riding!

-The SWAGTRON® Team

TABLE OF CONTENTS

I - GENERAL INFORMATION	1
1.1 ABOUT THE NG3	1
1.2 WHAT'S IN THE BOX?	2
1.3 SAFETY NOTICE.....	2
1.4 IMPORTANT INFORMATION	3
1.5 DISPOSAL AT END-OF-LIFE.....	5
II - PRODUCT FEATURES	6
2.1 BOTTOM VIEW	6
2.2 TOP VIEW	7
III – CHARGING	8
3.1 HOW TO CHARGE THE SKATEBOARD	8
3.2 SAFETY WARNINGS.....	9
IV – HOW TO RIDE	10
V – SAFE RIDING TECHNIQUES	12
VI – MAINTENANCE	14
6.1 CLEANING	14
6.2 STORAGE	15
6.3 TRANSPORTATION	15
VII – SPECIFICATIONS	16
90-DAY LIMITED HARDWARE WARRANTY	17

I - GENERAL INFORMATION

Before riding your electric skateboard, please read all instructions. This manual will guide you through the functions, usage, and proper care of your NG3. If you have any questions that is not answered in this manual, please contact your place of purchase or our customer service at 1-844-299-0625. Before contacting customer service, please have your purchase information ready as this may be needed during the call.

When reading this manual, note these icons:



Notes with this icon **MUST** be read, understood, and obeyed to prevent injury or damage, etc.



Notes with this icon include relevant information.

1.1 ABOUT THE NG3

The SWAGSKATE NG3 is an electric-powered mini-skateboard, as light as a penny board, that can be controlled by triggering the front and rear balance sensors on the deck. This hands-free navigation system delivers true skateboard riding experience.

It's an environmentally friendly, zero-emissions e-ridable product that uses only the highest quality components and industry-leading manufacturing processes.

1.2 WHAT'S IN THE BOX?

- + SWAGSKATE NG3 Electric Skateboard
- + Charging Adapter (for the skateboard)
- + Quick-Start Guide

1.3 SAFETY NOTICE

The NG3 has been designed with the utmost safety in mind for its riders. However, as with any riding product, the SWAGTRON has inherent hazards associated with its use. These include, but are not limited to, losing control, falling off, or riding it in less-than-optimal conditions. It is therefore important to read and follow all instructions and warnings in the user manual and use good judgment when riding and using the skateboard.

By riding the NG3, the user acknowledges and accepts responsibility of all risks associated with the use of the NG3. These risks may include, but are not limited to, muscle injuries, broken bones, lacerations, or other serious injuries.

To better ensure your safety, ALWAYS USE APPROPRIATE PROTECTIVE GEAR, read and follow all instructions and warnings in the user manual. Appropriate protective gear should include shoes, kneepads, elbow pads and an ASTM F1492 approved helmet.



IF YOU ARE EVER IN AN ACCIDENT, CONTACT EMS / DIAL 911 IMMEDIATELY.

Max. Capacity	150 lb. / 68 kg
Min. Capacity	44 lb. / 20 kg
Max. Speed	9.3 MPH / 15 km/h
Max. Incline	5°

Please see **SECTION V** for safe riding techniques and additional safety information.

1.4 IMPORTANT INFORMATION



TO PREVENT ELECTRIC SHOCK, MATCH THE WIDER PRONG OF PLUG TO THE WIDE SLOT IN OUTLET. FULLY INSERT.



FCC Regulations state that any unauthorized changes or modifications to this equipment not expressly approved by the manufacturer could void the user's authority to operate this equipment.



This product satisfies FCC Regulations when shielded cables and connectors are used to connect the unit to other equipment. To prevent electromagnetic interference with electric appliances such as radios and televisions, use shielded cables and connectors for connections.

DECLARATION OF CONFORMITY:

This device complies with Part 15 of the FCC Rules.

Operation is subject to the following two conditions: (1) This device may not cause harmful interference, and (2) this device must accept any interference received, including interference that may cause undesired operation.

FCC RELATED INFORMATION:

This equipment has been tested and found to comply with the limits for a Class B digital device, pursuant to Part 15 of the FCC Rules. These limits are designed to provide reasonable protection against harmful interference in a residential installation. This equipment generates, uses, and can radiate radio frequency energy and, if not installed and used in accordance with the instructions, may cause harmful interference to radio communications. However, there is no guarantee that interference will not occur in a particular installation. If this equipment does cause harmful interference to radio or television reception, which can be determined by turning the equipment off and on, the user is encouraged to try to correct the interference by one or more of the following measures:

- + Reorient or relocate the receiving antenna.
- + Increase the separation between the equipment and receiver.
- + Connect the equipment into an outlet on a circuit different from that to which the receiver is connected.
- + Consult the dealer or an experienced radio/TV technician for help.

The manufacturer is not responsible for any radio or TV interference caused by unauthorized modifications to this equipment. Such modifications could void the user's authority to operate the equipment.



This device complies with Industry Canada's licence-exempt RSSs. Operation is subject to the following two conditions: (1) this device may not cause interference, and (2) this device must accept any interference, including interference that may cause undesired operation of the device.

1.5 DISPOSAL AT END-OF-LIFE

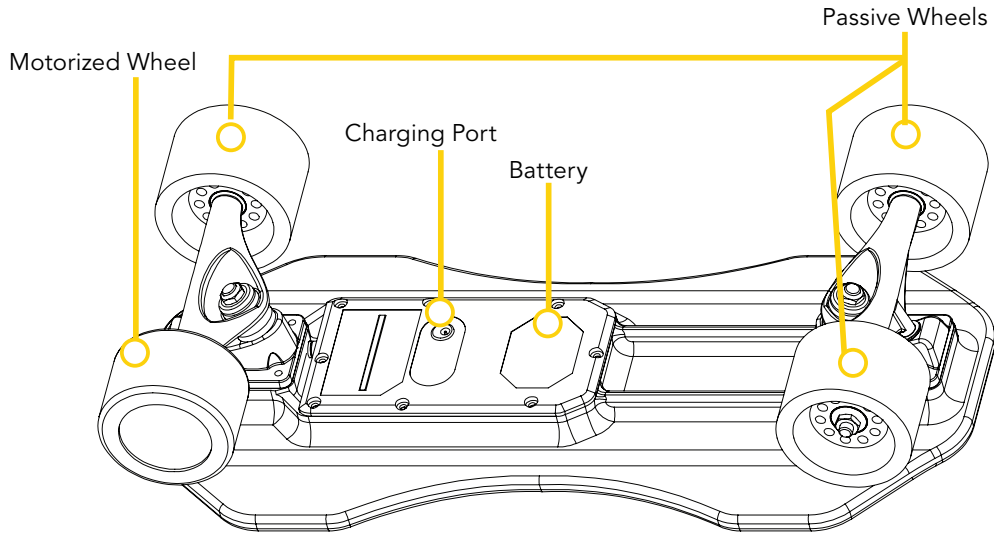
This product must not be disposed of by incineration, landfilling, or mixing with household trash. Improper disposal of the battery contained within this product may result in the battery heating up, rupturing, or igniting which may cause serious injury. The substances contained inside the battery present chemical risks to the environment. The recommended disposal for any SWAGTRON skateboard at its end-of-life is to dispose of the entire unit at or through an e-waste recycling center, program, or facility.

Local regulations and laws pertaining to the recycling and disposal of lithium-ion batteries and/or products containing them will vary according to country, state, and local governments. You must check laws and regulations corresponding to where you live in order to properly dispose of the battery and/or unit. It is the user's responsibility to dispose of their waste equipment properly with accordance with local regulations and laws.

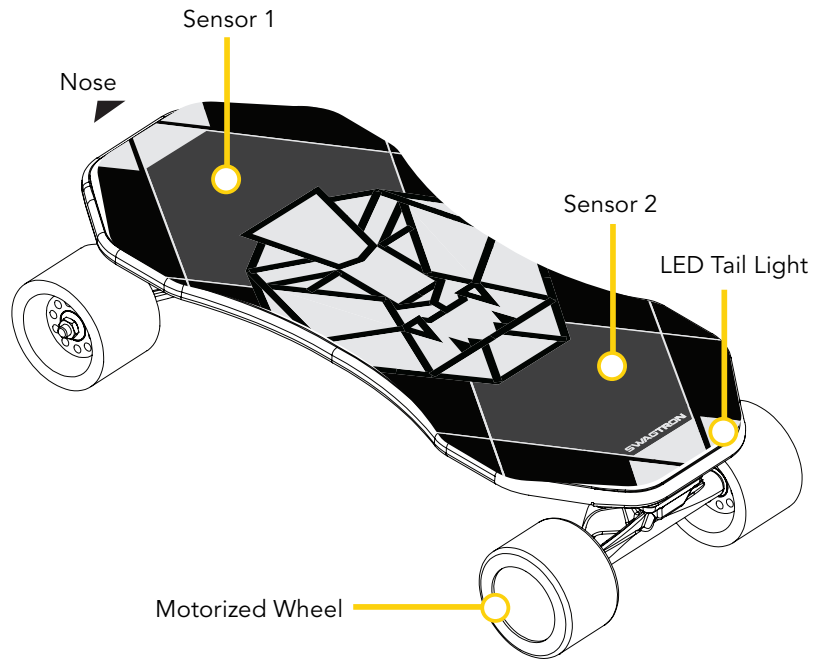
For additional information about where you should drop off your batteries and electrical or electronic waste, please contact your local or regional waste-management office, your household waste disposal service, or your point-of sale.

II - PRODUCT FEATURES

2.1 BOTTOM VIEW



2.2 TOP VIEW



III – CHARGING



Charge the SWAGSKATE NG3 before using it.

3.1 HOW TO CHARGE THE SKATEBOARD

- STEP 1.** Make sure the NG3 is powered off before charging. Remove the charging port cap, then connect the charging cable to the adapter, if not already connected.
- STEP 2.** Plug the charger into a wall outlet (100V-240V; 50-60Hz) then plug the other end into the charging port. Remove the cap if needed.
- STEP 3.** Allow 1.5 hours charging time. During charging, the adapter's light will turn red.
- STEP 4.** When the skateboard is fully recharged, the adapter's light will turn green. Disconnect the skateboard from the adapter.



- **DO NOT under any circumstances use the skateboard while it is charging or connected to the adapter.**
- **Use only the charger that comes with the NG3. If the charger is lost or damaged, contact customer service for a replacement. Damage caused by unauthorized chargers are not covered under the warranty.**



The charging time is approximately 1.5 hours. Charging longer than that may affect battery life and/or performance. If the adapter's light doesn't turn on, it may not be fully connected. Check that it is securely connected to the wall and to the skateboard. If it is, contact customer service.

3.2 SAFETY WARNINGS



- Do not place the skateboard or its battery in direct contact with heat or fire.
- Do not attempt to pierce, strike, step on, or otherwise subject the battery to any direct impact.
- Do not expose the skateboard or its battery to water or any liquids, or allow the battery to get wet.
- Do not disassemble or modify the battery.
- Do not place the skateboard on or near any source of heat or store in high-temperature locations.
- Do not place the battery in microwave ovens, high-pressure containers, or on induction cookware.
- Do not place the battery in direct sunlight or use or store the battery inside cars in hot weather.
- If the skateboard is to be used by children, explain the contents of the user manual to the children. You or a caregiver should provide adequate supervision to ensure that the device is used as explained in the user manual.
- Immediately discontinue use if, while using, charging, or storing, the battery emits an unusual smell, feels hot, changes color, changes shape, or appears abnormal in any way.
- In the event that the battery leaks and the fluid gets into one's eye, do not rub the eye. Rinse well with water and immediately seek medical care. If left untreated, the battery fluid could cause damage to the eye.
- Use only the charging accessories provided by the manufacturer.
- Do not continue charging the battery if it does not recharge within the specified charging time.
- The temperature range within which the battery can be charged is 32°F~104°F (0°C~40°C).
- Do not discharge the skateboard using any device except for the specified device.

IV – HOW TO RIDE

Always wear protective gear (including helmet) when riding. Make sure the Swagskate is placed on a level surface and fully charged. See **SECTION 3.1** for charging instructions.

- STEP 1.** Step one foot on the front sensor area (1). Then step the other foot on the back sensor area to release the braking system. (The dominant foot should be on the rear sensor.)
- STEP 2.** Using your dominant foot (on the rear sensor), kick off the ground to generate some speed.
- STEP 3.** Lean forward slightly and kick your rear foot on the skateboard to accelerate (2), until it reaches the top speed 9.3mph (15km/h).
- STEP 4.** To slow down, lean back and kick your front foot on the skateboard to help you slow down (number 1 icon). Stand straight on the skateboard to come to a complete stop (Fig. 3).

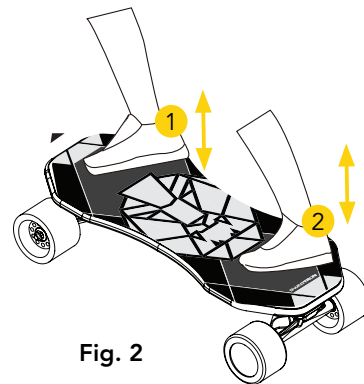


Fig. 2



- + The skateboard will automatically brake immediately when leaving the two sensors at the same time.
- + The motor will automatically engage to maintain the current speed

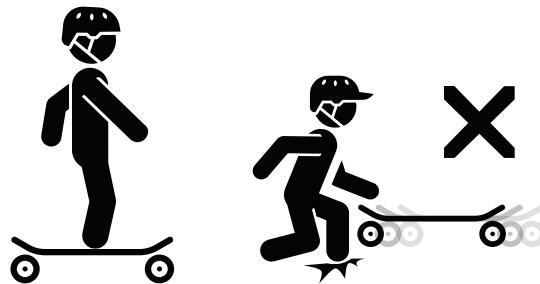


Fig. 3

+ It will shut down with no operations after one minute.



- + Do not ride sideways across slopes.
- + Do not put anything else on the skateboard deck besides your feet, as this could cause the skateboard to move on its own.
- + Do not lean forward or backward beyond 10°, as the unit may malfunction and/or you may fall off.
- + Avoid uneven pavement, rocky surfaces, and steep slopes with inclines over 5° as the skateboard may not function properly.
- + Never ride at high speeds, perform stunts, or turn abruptly without checking your surroundings.
- + Do not carry passengers or heavy items while riding the skateboard.
- + Never ride in the rain, dark, or dimly lit areas.
- + Never use your skateboard to do anything that may cause property damage or personal injury to yourself or others.
- + Never ride backwards for long distances or at high speeds.
- + Never jump off the SWAGSKATE when at high speeds, except in the rare circumstance where staying on the skateboard is detrimental.
- + Do not operate your skateboard near flammable vapor, liquids, material, or other fire hazards.
- + Do not ride the skateboard while intoxicated or under the influence of alcohol, drugs, or any substance that may affect your judgment or ability to ride. You can be arrested for operating the NG3 while under the influence.

FAILURE TO USE GOOD JUDGMENT AND HEED THE ABOVE WARNINGS INCREASES THE RISK OF SERIOUS INJURY, OR IN VERY RARE CASES, DEATH. USE WITH APPROPRIATE CAUTION AND SERIOUS ATTENTION TO SAFE OPERATION.

STEPPING OFF

Step off the skateboard with one foot once it has come to a complete stop. Then quickly step off with the other foot. Be careful when stepping off for the first time.

! CAUTION

- + Slow down before turning or you will fall off and be injured.
- + Avoid high-speed sudden turns, as this may result in an accident.

V – SAFE RIDING TECHNIQUES

Consider the following techniques and info to help ensure you have a safe, fun riding experience.

! CAUTION

- + Appropriate clothing and protective gear are highly recommended. While riding, protective gear (such as knee pads, elbow pads, wrist braces and an ASTM F1492 approved helmet) should be worn by all riders of all ages at all times.

- + Do not wear anything that can drape over or get caught in the wheels.
- + Wear flat, close-toed shoes to maintain flexibility and stability.
- + The skateboard may not function if it flips upside down. To restore normal functionality, place right side up on a level, flat surface; wait 2-3 minutes; then step back on the board, one foot at a time, to power the NG3 back on.
- + Ride on even pavement or smooth roads. Relax your legs while riding, knees slightly bent. This helps maintain balance when you encounter uneven ground.
- + For your own safety and the safety of others, ride only at speeds you are comfortable with and be ready to stop at any time.
- + When riding near others, keep a safe distance to avoid collisions.
- + Pay attention to your surroundings. Your eyes are your best tools for safely avoiding obstacles, slippery surfaces and questionable riding conditions.
- + Ride in open spaces and flat areas. Avoid slopes or high traffic areas until you're familiar with riding.
- + Do not attempt to carry passengers. The SWAGSKATE can only support the weight of one person at a time. Do not exceed the skateboard's weight limit.
- + Remember, only ride where permitted. You MUST comply with local laws and give way to pedestrians.

VI – MAINTENANCE

Proper maintenance ensures the best riding experience. Consider the following tips and information to keep your skateboard running in top condition.



- + Do not perform any maintenance when the power is on or while the battery is charging.
- + Inspect your skateboard after each ride, especially if you have traveled a long distance.

Attempting to repair or modify your skateboard can void all warranties. Only authorized repair centers may open and service the SWAGSKATE. Contact customer support for assistance.

6.1 CLEANING

The SWAGSKATE may need cleaning after riding. See the following tips below.

- + Make sure the skateboard is completely powered off before cleaning.
- + Check around the wheels and clear away any blockage.
- + Use dry, non-abrasive cloth to gently remove debris or dust from the skateboard.
- + If needed, dampen cloth with water or a mild cleaner and wipe off the skateboard.
- + Never use alcohol or ammonia-based cleaning solutions.
- + Never spray liquid directly onto any part of the skateboard.
- + Do not allow any type of liquid to come in contact with the skateboard's electronic parts.

6.2 STORAGE

- + Before storing the skateboard, fully charge it to prevent battery over-discharge due to non-use.
- + If storing the skateboard for more than one month, discharge and recharge the battery every three months.
- + Cover the skateboard to protect it from dust. Do not store in a dusty environment as, with all electronic devices, this may cause damage over time.
- + DO NOT store the skateboard in an unheated garage, shed, or other location with extreme temperature fluctuations or ranges. Store only in environments where temperatures will be stable and kept between 14°F ~ 122°F (-10°C ~ 50°C).

6.3 TRANSPORTATION



Lithium iron phosphate batteries are considered hazardous materials. As such, transportation is governed by federal, state and local laws.

International law prohibits the shipping of bare lithium iron phosphate batteries. If you are shipping your SWAGSKATE, you must ship it with the battery installed.

VII – SPECIFICATIONS

Item	Parameters
Net Weight	7.72 lb. / 3.5kg
Dimensions	19.69 x 8.86 x 5.31 in / 500 x 225 x 135 mm
Board Material	Polypropylene (PP)
Wheel Material	Polyurethane (PU)
Wheel Size	2.83 in / 72 mm
Maximum Speed	9.3 mph (based on flat, even pavement)
Climbing Capacity	5°
Maximum Load	150 lb. / 68 kg
Minimum Load	44 lb. / 20 kg
Controller temperature protection	185°F (85°C)
Charger	Input: 100V – 240VAC 50/60 Hz 1.5A max Output: DC 16.8V 1A
Battery Type	Lithium-iron phosphate (rechargeable)
Charging Time	~1.5 hours

90-DAY LIMITED HARDWARE WARRANTY

Your SWAGTRON® Swagskate NG3 (“Product”) includes a 90-Day Limited Hardware Warranty (“Warranty”). The Warranty covers product defects in materials and workmanship under normal use. This Warranty is limited to residents of the United States (Excluding Hawaii, Alaska and U.S. Territories) and Canada only and is available only to original purchasers. This Warranty gives you specific legal rights and you may also have other rights which vary from state to state.

This Warranty starts on the date of your purchase and lasts for ninety (90) days (the “Warranty Period”). The Warranty Period is not extended if the Product is repaired or replaced. We may change the availability of this limited warranty at our discretion, but any changes will not be retroactive.

Warranty services are provided by SWAGTRON®. If a hardware defect arises and a valid claim is received within the Warranty Period, at its option and to the extent permitted by law, SWAGTRON® will: (1) repair the hardware defect by using new or refurbished parts that are equivalent to new in performance and reliability; or (2) exchange the Product with a product that is new or refurbished which is substantially equivalent to the original product. This Warranty is for one (1) replacement only of like-items and does not cover items out of production if the product is no longer made or stocked. This Warranty is not assignable or transferable. The original purchaser may call SWAGTRON’s toll-free number at 1-844-299-0625 for service request.

When a product or part is exchanged, any replacement item becomes your property and the replaced item becomes SWAGTRON®’s property. This warranty only covers technical hardware defectiveness during the warranty period and under normal use conditions. SWAGTRON® does not warrant uninterrupted or error-free operation of this Product.

Return shipping shall only be provided for Products dead on arrival (“DOA”) within 30 days of purchase only. All other returns/repairs shall require payment of shipping cost at discounted rate to be determined as follows:

SWAGTRON® Electric Skateboards shall be Twenty Dollars (\$20)**

** Shipping prices are subject to change without further notice.

This Warranty does not cover any damage due to: (a) transportation; (b) storage; (c) improper use; (d) failure to follow the product instructions or to perform any preventive maintenance; (e) modifications; (f) unauthorized repair; (g) normal wear and tear(including but not limited to wearables and other consumable parts such as tires); or (h) external causes such as accidents, abuse, or other actions or events beyond our reasonable control.

Important: Do not disassemble the Product. Disassembling the Product will void this Warranty. Only SWAGTRON® or a party expressly authorized by SWAGTRON® should perform service on this Product.

DISCLAIMER OF WARRANTY: THE REMEDIES DESCRIBED ABOVE ARE YOUR SOLE AND EXCLUSIVE REMEDIES AND OUR ENTIRE LIABILITY FOR ANY BREACH OF THIS LIMITED WARRANTY. OUR LIABILITY SHALL UNDER NO CIRCUMSTANCES EXCEED THE ACTUAL AMOUNT PAID BY YOU FOR THE DEFECTIVE PRODUCT, NOR SHALL WE UNDER ANY CIRCUMSTANCES BE LIABLE FOR ANY CONSEQUENTIAL, INCIDENTAL, SPECIAL OR PUNITIVE DAMAGES OR LOSSES, WHETHER DIRECT OR INDIRECT.

SOME STATES DO NOT ALLOW THE EXCLUSION OR LIMITATION OF INCIDENTAL OR CONSEQUENTIAL DAMAGES, SO THE ABOVE LIMITATION OR EXCLUSION MAY NOT APPLY TO YOU.

THE DURATION AND REMEDIES OF ALL IMPLIED WARRANTIES, INCLUDING WITHOUT LIMITATION THE WARRANTIES OF MERCHANTABILITY AND FITNESS FOR A PARTICULAR PURPOSE ARE LIMITED TO THE DURATION OF THIS EXPRESS LIMITED WARRANTY.

SWAGTRON®

COPYRIGHT © 2019 SWAGTRON. ALL RIGHTS RESERVED.