

SWAGTRON®

USER MANUAL

Ver. 1.0 12/3/19

In order to continue serving our customers and providing the best products, our product information including our user manuals may receive updates from time to time. Please check our website for the latest user manuals and product materials.

SWAGGER 5 DASH LITE
FOLDING ELECTRIC SCOOTER



PROTECT YOUR DOME

HELMETS SAVE LIVES

Helmets can reduce 85% of critical head injuries.

Elbow pads can reduce 82% of elbow injuries.

Knee pads can reduce 32% of knee injuries.

From <https://www.ncbi.nlm.nih.gov/pubmed/2716781>

Always wear proper protective gear when riding. This includes knee and elbow pads and an age-appropriate helmet.

- Helmets should fit comfortably and snugly, covering the forehead but not hindering your field of vision.
- The helmet should have a chin strap and buckle to keep the helmet in place.
- The helmet should be made out of a hard, protective outer shell and an impact-absorbing inner layer at least 1/2-inch thick.
- The helmet should be approved by the U.S. Consumer Product Safety Commission (CPSC), the Snell Memorial Foundation, or the American Society for Testing and Materials (ASTM).



Thank you for your purchase of the Swagger 5 Dash Lite Folding Electric Scooter by SWAGTRON®!

To ensure your safety and the safety of others, please read the guidelines in this user manual and follow them during riding.

If you have any questions regarding the Swagger 5 Dash LiteS, contact us at 1-844-299-0625 for further assistance.

Happy Riding!

The SWAGTRON® Team

TABLE OF CONTENTS

SECTION 1: GENERAL INFORMATION	05
1.1 Safety Warnings and Important Information ..	05
1.2 FCC Information	06
1.3 Disposal at End-of-Life.....	07
SECTION 2: FEATURES.....	08
2.1 What's in the Box?.....	08
2.2 Assembly.....	08
2.3 Swagger 5 Dash Lite Diagram	09
2.4 Display Indicators.....	10
2.5 Standing, Folding, and Unfolding.....	11
SECTION 3: CHARGING	13
3.1 How to Charge	13
3.2 Safety Warnings	14

SECTION 4: USAGE	15
4.1 Getting Started	15
4.2 How to Ride.....	16
4.3 Practicing Guidelines	16
SECTION 5: MAINTENANCE.....	17
5.1 Cleaning.....	17
5.2 Storage.....	17
SECTION 6: SPECIFICATIONS	18
SECTION 7: 90-DAY LIMITED HARDWARE WARRANTY.....	20

SECTION 1: GENERAL INFORMATION

Before operating this vehicle, please read all instructions. This manual will guide you through the functions, usage, and proper care of your Swagger 5 Dash Lite Folding Electric Scooter. If you have any questions or cannot find the information you need in the manual, please contact your place of purchase or our customer service at 1-844-299-0625. Before contacting customer service, please have your purchase information ready as this may be needed during the call. This information may be recorded below.

Date of Purchase: _____

Place of Purchase: _____

It is important that you follow all safety warnings that appear throughout this manual and exercise good judgment when using your Swagger 5 Dash Lite scooter. Consult this manual before you attempt to use your Swagger 5 Dash Lite.

1.1 Safety Warnings and Important Information

Within this manual, “the Swagger 5 Dash Lite”, “your Swagger 5 Dash Lite”, “your scooter” and “the scooter” refer to the Swagger 5 Dash Lite Folding Electric Scooter. The Swagger 5 Dash Lite is a personal scooter that uses electrical power. By riding the Swagger 5 Dash Lite, the user acknowledges and accepts responsibility for all risks associated with the use of the Swagger 5 Dash Lite which may include, but are not limited to, muscle injuries, broken bones, lacerations, serious injury, and possible death.

To better insure your safety, **ALWAYS USE APPROPRIATE PROTECTIVE GEAR**, read and follow all instructions and warnings in the user manual.



Appropriate protective gear should include shoes, kneepads, elbow pads and an ASTM F1492 approved helmet.

1.2 FCC Information

DECLARATION OF CONFORMITY:

This device complies with Part 15 of the FCC Rules.

Operation is subject to the following two conditions: (1) This device may not cause harmful interference, and (2) this device must accept any interference received, including interference that may cause undesired operation.

FCC RELATED INFORMATION:

This equipment has been tested and found to comply with the limits for a Class B digital device, pursuant to Part 15 of the FCC Rules. These limits are designed to provide reasonable protection against harmful interference in a residential installation. This equipment generates, uses, and can radiate radio frequency energy and, if not installed and used in accordance with the instructions, may cause harmful interference to radio communications. However, there is no guarantee that interference will not occur in a particular installation. If this equipment does cause harmful interference to radio or television reception, which can be determined by turning the equipment off and on, the user is encouraged to try to correct the interference by one or more of the following measures:

- Reorient or relocate the receiving antenna.
- Increase the separation between the equipment and receiver.
- Connect the equipment into an outlet on a circuit different from that to which the receiver is connected.
- Consult the dealer or an experienced radio/TV technician for help.

The manufacturer is not responsible for any radio or TV interference caused by unauthorized modifications to this equipment. Such modifications could void the user's authority to operate the equipment.

1.3 Disposal at End-of-Life

This product must not be disposed of by incineration, landfilling, or mixing with household trash. Improper disposal of the battery contained within this product may result in the battery heating up, rupturing, or igniting which may cause serious injury. The substances contained inside the battery present chemical risks to the environment. The recommended disposal for any Swagger 5 Dash Lite Folding Electric Scooter at its end-of-life is to dispose of the entire unit at or through an e-waste recycling center, program, or facility. Local regulations and laws pertaining to the recycling and disposal of lithium-ion batteries and/or products containing them will vary according to country, state, and local governments. You must check laws and regulations corresponding to where you live in order to dispose of the battery and/or unit properly. It is the user's responsibility to dispose of their waste equipment properly in accordance with local regulations and laws.

For additional information about where you should drop off your batteries and electrical or electronic waste, please contact your local or regional waste management office, your household waste disposal service, or your point-of-sale.

SECTION 2: FEATURES

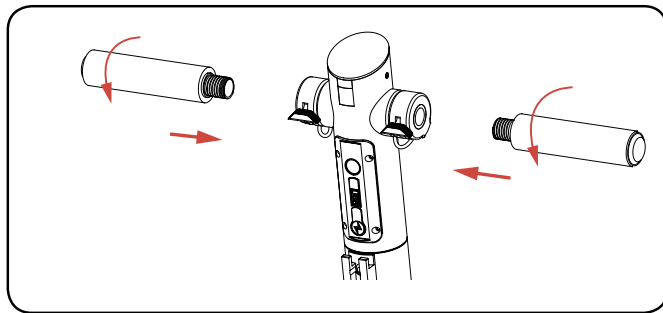
2.1 What's in the Box?

- 1x Swagger 5 Dash Lite Folding Electric Scooter
- 2x Handles
- 1x Charging Cable / Adapter
- 2x Allen Keys
- 1x User Manual

2.2 Assembly

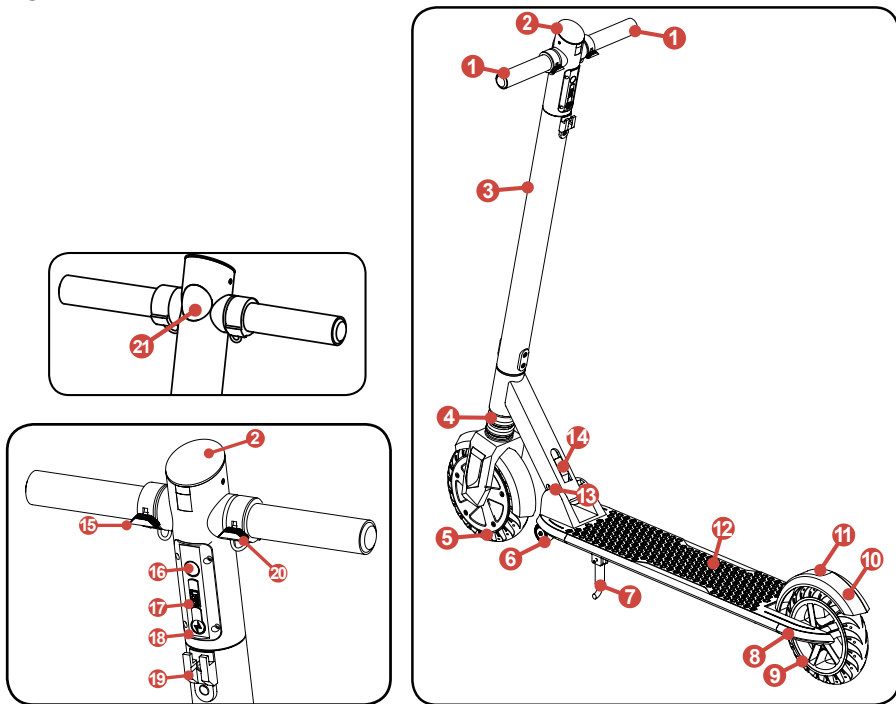
The scooter comes mostly pre-assembled. Simply screw each handle into each side of the middle connector bar.

Before installing the handlebars, please check each for a small letter to indicate which side of the scooter the handle should be attached to. **L** is for the left side while **R** is for the right side. Screw in each handle and make sure everything is securely attached.



2.3 Swagger 5 Dash Lite Diagram

1. Handles
2. Display
3. Stem
4. Suspension
5. Motorized Front Wheel
6. Support Wheels
7. Kickstand
8. Reflector
9. Rear Passive Wheel
10. Footbrake
11. Folding Slot
12. Deck
13. Lock Slots
14. Folding Latch
15. Handbrake
16. Multifunction (MFN) Button (Power / Mode / Headlight / Measurement Setting)
17. USB Port
18. Charging Port
19. Folding Hook
20. Throttle
21. Headlight



2.4 Display Indicators

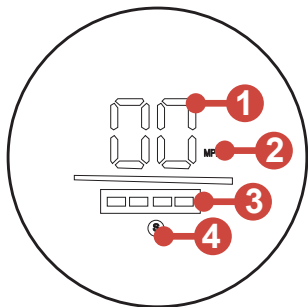


DO NOT expose the display to direct sunlight or high heat for extended periods of time.

DO NOT store the scooter inside a vehicle or other location subject to high heat. Any of these conditions may damage the display's interface.



After 5 minutes of non-use, the display will turn off as the scooter turns off.



- 1. Speed:** These numbers indicate current speed readings and will change as the scooter is in use.
- 2. Miles per Hour (MPH or Mp/h):** This icon indicates odometer readings and will appear if you have selected speed to display with this unit of measurement.
- 3. Battery Level:** This icon indicates battery power level. As power goes down, the icon will indicate different levels.



When the battery level is low, stop riding, turn off the scooter, and fully recharge it before riding again.

- 4. Speed Mode (S)** - Displays the current speed modes (Beginner, Normal, Sport). Each mode has its own maximum speed. Top speed for Beginner (S displays in green on screen) is 6.2 mph; Normal (S displays in blue on screen) is 9.3 mph; and Sport (S displays in red on screen) is 15.5 mph.

2.5 Standing, Folding, and Unfolding

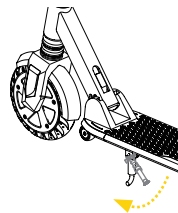
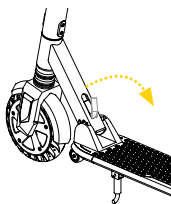


- Before moving, lifting, or otherwise transporting the scooter, turn it off.
- Keep fingers away from all movable parts of the scooter to prevent injury to fingers or other body parts.

Standing

Before using the kickstand, bring the scooter to a complete stop and turn it off.

1. Locate the kickstand on the side of the scooter's deck.
2. Push the kickstand down and away from the scooter.
3. Then carefully lean the weight of the scooter onto the kickstand.
4. Before riding the scooter again, lean the scooter off the kickstand and push the kickstand up.



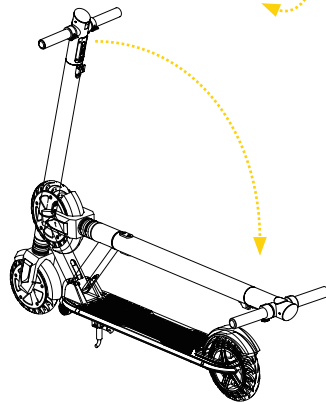
Folding

Step 1. Pull the folding latch down towards the deck. The pin connected to the lever should slide up out of its notch.



If the lever is hard to move, try pushing stem away from the deck slightly in order to ease the tension on the folding mechanism.

Step 2. Pull the stem down towards the deck, line the pin with the second notch, and push the lever back into place as needed.





Make sure the pin slides into the notch and the lever fully moves back in place; otherwise, the scooter may unfold.

Unfolding

Step 1. Pull the lever down towards the deck. The pin connected to the lever should slide up out of its notch.

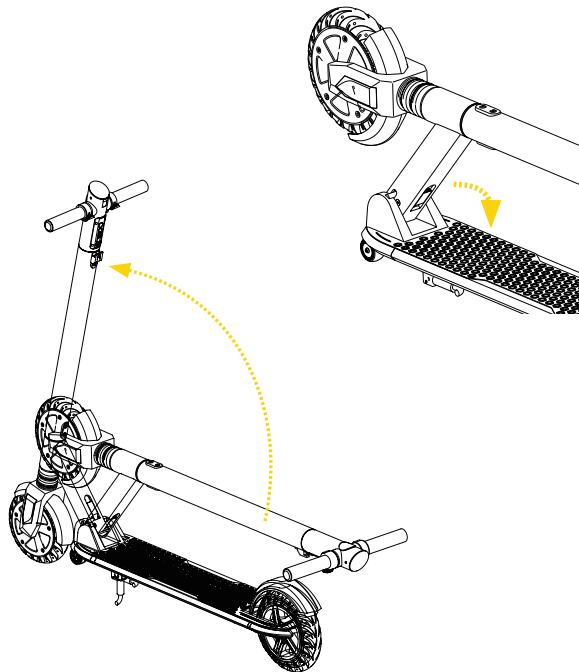


If the lever is hard to move, try pulling stem down towards the deck slightly in order to ease the tension on the folding mechanism.

Step 2. With the lever moved, pull the stem up away from the deck, line the pin up with the first notch, and push the lever back into place as needed.



Make sure the pin slides into the notch and the lever fully moves back in place otherwise the scooter may fold.



SECTION 3: CHARGING



CHARGE THE SCOOTER BEFORE USING IT.

3.1 How to Charge

- Step 1. Make sure the scooter is turned off. Remove the charging port cap and connect the charging cable and adapter together if needed.
- Step 2. Connect the charging cable to the scooter, then connect it to a wall outlet.
- Step 3. Allow 4~5 hours charging time. During charging, the charger light will turn red.
- Step 4. When the scooter is fully recharged, the charger light will turn green. Disconnect the scooter from the charger.



DO NOT under any circumstances use the scooter while it is charging or connected to the charger.



The charging time is 4~5 hours. Charging longer than that may affect battery life and/or performance. If the charger's light doesn't turn on, it may not be fully connected. Check that it is securely connected to the wall and to the scooter.

3.2 Safety Warnings



- Do not place the scooter or its battery in fire or direct contact with heat.
- Do not attempt to pierce the battery with sharp objects, strike, step on, or otherwise subject it to strong impact.
- Do not expose the scooter or its battery to water or any liquids, or allow the battery to get wet.
- Do not disassemble or modify the battery.
- Do not place the scooter on or near any source of heat or in high-temperature locations.
- Do not place the battery in microwave ovens, high-pressure containers, or on induction cookware.
- Do not place the battery in direct sunlight or use or store the battery inside cars in hot weather.
- If the scooter is to be used by children, a parent or legal guardian should provide adequate supervision to ensure that the scooter is used as explained in the user manual.
- Immediately discontinue use if, while using, charging, or storing the battery, the battery emits an unusual smell, feels hot, changes color, changes shape, or appears abnormal in any other way.
- In the event that the battery leaks and the fluid gets into one's eye, do not rub the eye. Rinse well with water and immediately seek medical care. If left untreated, the battery fluid could cause damage to the eye.
- Use only the charging accessories provided by the manufacturer.
- Do not continue charging the battery if it does not recharge within the specified charging time.
- The temperature range within which the battery can be charged is 32°F~104°F (0°C~40°C).
- Do not discharge the scooter using any device except for the specified device.

SECTION 4: USAGE



- Protective gear including a ASTM F1492-approved helmet must be worn at all times.
- The scooter supports up to 264.5 lb. (120 kg).
- Only operate the scooter where permitted. Local laws may restrict where you may ride.



The scooter contains a motor and may be classified as a motor vehicle under your local law. It is your responsibility to understand and abide by any local laws restricting how or where you may ride.

4.1 Getting Started

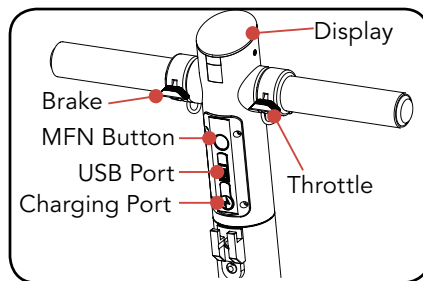
Assuming you have equipped suitable protective gear and that the Swagger 5 Dash Lite has been placed on a level surface, is well charged, and does not have any issues, follow the steps below. For your safety, please read this entire section before attempting to ride.

Brake: Press to slow down the speed.

Throttle: Press to give more speed until it reaches the max. speed.

MFN Button: A single multifunction button is used to display/adjust several scooter settings, listed below:

- (1) Long-press to power on/off the scooter.
- (2) One-click to switch max. speed modes (Mode 1: 6 mph; Mode 2: 10 mph; Mode 3: 15.5 mph.)
- (3) Double-click to turn on/off headlight.
- (4) Triple-click to switch display measurement (km/h or mph).



4.2 How to Ride

- Step 1. Turn on the scooter. Carefully step on with one foot and stand upright but relaxed. Grab both handles.
- Step 2. Keep one foot on the ground and kick off to begin accelerating manually. Continue accelerating by pressing the throttle.
- Step 3. To stop, release the throttle and use the thumb brake or rear foot brake to gradually coast to a stop. Then step off the scooter one foot at a time.



Using the headlight for extended periods of time may affect scooter's overall battery life.

4.3 Practicing Guidelines

Practice until you are comfortable with using all of the scooter's functions. See the following tips below.

- Wear casual clothing and flat shoes to maintain your flexibility and stability.
- Practice until you can easily get on, move forward, turn, stop, and dismount with ease.
- Practice on relatively smooth, flat terrain.
- Do not operate on slopes or inclines until you are experienced.

SECTION 5: MAINTENANCE



Do not perform any maintenance when the power is on or while the battery is charging. Do not let water or liquids get into the scooter. It will cause permanent damage to the internal electronic components.

5.1 Cleaning

The scooter may need cleaning after riding for extended periods of time. See the following tips below.

- Turn the scooter off before cleaning.
- Use dry, non-abrasive cloth to gently remove debris or dust.
- The scooter may not come in contact with it in any kind of liquid.
- Never use alcohol or ammonia-based cleaning solutions.
- Never spray liquid directly onto any part of the scooter.

5.2 Storage

The scooter can be stored easily when not in use. See the following information below.

- Before storing, fully charge the scooter to prevent battery over-discharge due to non-use.
- Store the scooter indoors.
- Cover the scooter when storing to protect from dust.
- If storing for more than one month, discharge and recharge the battery every three months.
- DO NOT store in an unheated garage, shed, or other location with extreme temperature fluctuations or ranges.

SECTION 6: SPECIFICATIONS

Properties	Items	Parameters
Size	Folded	46.5 x 17.3 x 8.66 in. (1180 x 440 x 220mm)
	Opened	45.67 x 17.3 x 43.7 in. (1160 x 440 x 1110mm)
Weight	Vehicle Weight	About 28.66 lb. (13 kg)
Main Parameter	Max. Load	264.5 lb. (120 kg)
	Maximum Speed	About 16 mph (25.7km/h, based on terrain)
	Range per Charge	15.5 miles (25 km)
	Maximum Incline	15°
	Suitable Terrain	Hard Surfaces, Flat Roads, Ramps under 15°
	Working Temperature	32°F~104°F (0°C~40°C)
	Storage Temperature	-10°F~113°F (-23°C~45°C)
	Water Resistance	IPX4
	USB Power Supply	Support 5V 1A power supply
Battery	Lithium-Ion Battery	
	36 V 6Ah	

Performance Indicators	Item	Parameters
Charger	Model	HLT-180-4201500
	Rated Input Voltage	AC100 - 240 V 50/60Hz 2A
	Rated Output Voltage	42 V
	Rated Current	1.5 A
	Charging Time	4~5 hrs
	Manufactured by: Shenzhen hyleton Technology Co., Ltd Address: 4th Floor, Building A3, Fenghuanggang Third Industrial Zone, Xixiang, Bao'an District, Shenzhen	

SECTION 7: 90-DAY LIMITED HARDWARE WARRANTY

Your SWAGTRON® Swagger 5 Dash Lite Folding Electric Scooter ("Product") includes a 90-Day Limited Hardware Warranty ("Warranty"). The Warranty covers product defects in materials and workmanship under normal use. This Warranty is limited to residents of the United States (excluding Hawaii, Alaska and U.S. Territories) and Canada only and is available only to original purchasers. This Warranty gives you specific legal rights and you may also have other rights which vary from state to state.

This Warranty starts on the date of your purchase and lasts for ninety (90) days (the "Warranty Period"). The Warranty Period is not extended if the Product is repaired or replaced. We may change the availability of this limited warranty at our discretion, but any changes will not be retroactive.

Warranty services are provided by SWAGTRON®. If a hardware defect arises and a valid claim is received within the Warranty Period, at its option and to the extent permitted by law, SWAGTRON® will: (1) repair the hardware defect by using new or refurbished parts that are equivalent to new in performance and reliability; or (2) exchange the Product with a product that is new or refurbished which is substantially equivalent to the original product. This Warranty is for one replacement only of like-items and does not cover items out of production if the product is no longer made or stocked. This Warranty is not assignable or transferable. The original purchaser may call SWAGTRON's toll-free number at 1-844-299-0625 for service request.

When a product or part is exchanged, any replacement item becomes your property and the replaced item becomes SWAGTRON's property. This warranty only covers technical hardware defectiveness during the warranty period and under normal use conditions. SWAGTRON® does not warrant uninterrupted or error-free operation of this Product.

Return shipping shall only be provided for Products dead on arrival ("DOA") within 30 days of purchase only. All other returns/repairs shall require payment of shipping cost at discounted rate to be determined as follows:

SWAGTRON® E-Scooters, and Hoverboards shall be Twenty Dollars (\$20)**
SWAGTRON® K-Line shall be Eight Dollars (\$8)**

**shipping prices are subject to change without further notice.

This Warranty does not cover any damage due to: (a) transportation; (b) storage; (c) improper use; (d) failure to follow the product instructions or to perform any preventive maintenance; (e) modifications; (f) unauthorized repair; (g) normal wear and tear (including but not limited to wearables and other consumable parts such as tires); or (h) external causes such as accidents, abuse, or other actions or events beyond our reasonable control.

Important: Do not disassemble the Product. Disassembling the Product will void this Warranty. Only SWAGTRON® or a party expressly authorized by SWAGTRON® should perform service on this Product.

DISCLAIMER OF WARRANTY: THE REMEDIES DESCRIBED ABOVE ARE YOUR SOLE AND EXCLUSIVE REMEDIES AND OUR ENTIRE LIABILITY FOR ANY BREACH OF THIS LIMITED WARRANTY. OUR LIABILITY SHALL UNDER NO CIRCUMSTANCES EXCEED THE ACTUAL AMOUNT PAID BY YOU FOR THE DEFECTIVE PRODUCT, NOR SHALL WE UNDER ANY CIRCUMSTANCES BE LIABLE FOR ANY CONSEQUENTIAL, INCIDENTAL, SPECIAL OR PUNITIVE DAMAGES OR LOSSES, WHETHER DIRECT OR INDIRECT.

SOME STATES DO NOT ALLOW THE EXCLUSION OR LIMITATION OF INCIDENTAL OR CONSEQUENTIAL DAMAGES, SO THE ABOVE LIMITATION OR EXCLUSION MAY NOT APPLY TO YOU.

THE DURATION AND REMEDIES OF ALL IMPLIED WARRANTIES, INCLUDING WITHOUT LIMITATION THE WARRANTIES OF MERCHANTABILITY AND FITNESS FOR A PARTICULAR PURPOSE ARE LIMITED TO THE DURATION OF THIS EXPRESS LIMITED WARRANTY.

SWAGTRON®

COPYRIGHT © 2019 SWAGTRON. ALL RIGHTS RESERVED.